

# 1254

TWELVE FIFTY FOUR INDUSTRIES

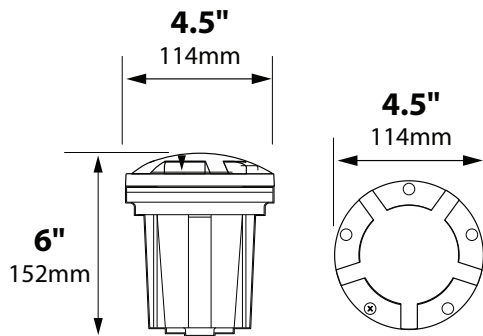
**LED  
WELL LIGHTS**  
12FX-12V-245

## Product Description

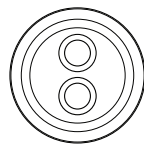
This water tight spot light is designed for in ground use where a flush, or hidden light would be ideal. Constructed of Fiberglass. All types of our MR16 lamps can be used on this unit to achieve the effect you want.



## Product Dimensions



## SL-20SMM



**BOTTOM**  
**2 Female 1/2" NPS threaded**  
**ports available upon request**

## Features & Benefits

- » Available with ARROW SAVER LED

## Specifications

- » **Construction:**  
Body- Fiberglass reinforced bronze composite with molded brass inserts for screws.  
Marker Dome- Cast Aluminum or Cast Brass
- » **Lens:** High Impact clear tempered flat glass
- » **O-Ring:** High Temperature red silicone
- » **Lamp Supplied:** 20w MR16 FL (BAB) 5000 hours average rating (50w max)
- » **Lamp Options:** We recommend 4w ARROW LED or 6w LED; 50,000 hour or ARROW SAVER 4w LED; 40,000 hour
- » **Socket:** High temperature ceramic GU5.3 bi-pin with 250° silicone lead wires
- » **Wiring:** Black 3' 18/2 zip cord from base of fixture (12v only) or 25' 16/2 fixture lead wire
- » **Connection:** Quick Connector (not supplied) from fixture to main cable
- » **Finish:** Aluminum - Black texture polyester powder coat. Optional finishes available.  
Brass- Unfinished Brass. Optional finishes available

## Certifications



# 1254

TWELVE FIFTY FOUR INDUSTRIES

**LED**  
**WELL LIGHTS**  
12FX-12V-245

Example Order: 12SL-12V-245-A-01-BLT

12FX-12V-245 -      -      -       
                  1          2          3

ORDERING INFORMATION

1. MATERIAL (LENS HOLDER/GRATE)  
A: ALUMINUM

2. LAMP  
01: 20w MR16 FL (BAB)

3. COLOR  
BLT: BLACK TEXTURE (STANDARD)  
ATV: ANTIQUE VERDE  
BRT: BRONZE TEXTURE  
CAM: CAMEL TONE  
CPR: CHROME POWDER  
HTX: HUNTER TEXTURE  
RBV: RUBBED VERDE  
RST: RUST  
STU: STUCCO  
WBR: WEATHERED BROWN  
WIR: WEATHERED IRON  
BAR: BRASS ACID RUST  
BAV: BRASS ACID VERDE  
BAT: BRASS BLACK ACID