

1254

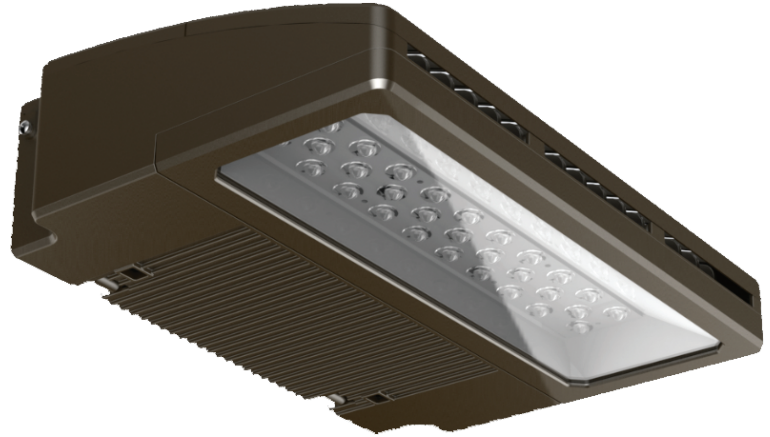
TWELVE FIFTY FOUR INDUSTRIES

WALLPACK LIGHT

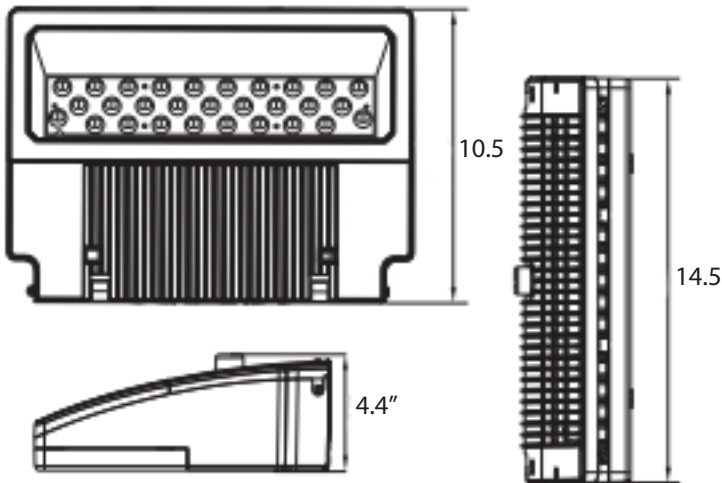
12FX-WPL-LED-100

Product Description

Our Wallpack Light is based on the latest LED technology. High quality aluminum enclosure ensures the reliable structure and stable cooling performance. It has precise optical design, and excellent light distribution effect. Optical glass reduces glare, while making the output soft with high light efficiency. Low power consumption, long service life, high reliability and energy saving.



Dimensions



Specifications

Input Voltage:	90-305VAC
Efficacy:	1101m/W
Power Factor:	≥0.95
CCT:	4000K/ 5000K
CRI:	Ra70
IP Rating:	IP66
Color:	Bronze (RAL8019) Silver (RAL9006)
Lifetime:	120,000 hours to 70% Lumen maintenance (at 25°C)
Operating Temperature:	-40°C - 55°C
Operating Humidity:	10% - 95% RH

Features & Benefits

- The housing is made with high quality aluminum die cast molding.
- Optical cavity and electrical cavity are independently located, ensuring longer service life and more stable performance
- Precise optical design and frosted glass cover ensure precise light distribution and prevent light glare
- A variety of wattage is allowed to achieve optimal illumination
- Two Dimming Options
- Double energy conservation

Certifications



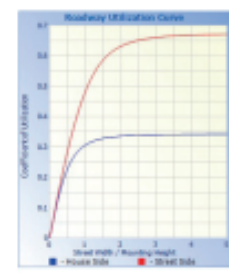
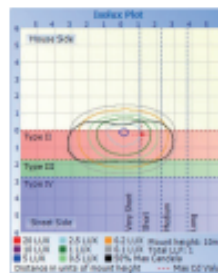
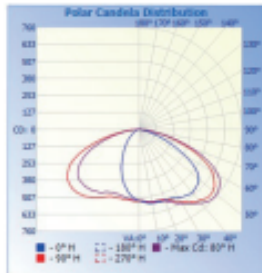
1254

TWELVE FIFTY FOUR INDUSTRIES

WALLPACK LIGHT 12FX-WPL-LED-100

- Lens Model
- Polar Distribution
- Isolux Plot
- Roadway Utilization Curve

WB
Type III short



12FX-WPL-LED-100 - - - -

2 3 4 5

Ordering Information

EXAMPLE: 12FX-WPL-LED-100 - 40 - 40- BR -P

1. Product Series	2. Wattage	3. Color Temperature	4. Enclosure	5. Accessories
12FX-WPL-LED-100	20 = 20W	40 = 4000K	BR = Bronze	NA = None
WALLPACK LIGHT	30 = 30W	50 = 5000K	SL = Silver (RAL9006)	P = Photocell
	40 = 40W			M = Motion Sensor
	50 = 50W			D = Dimmable(0-10V)
	60 = 60W			